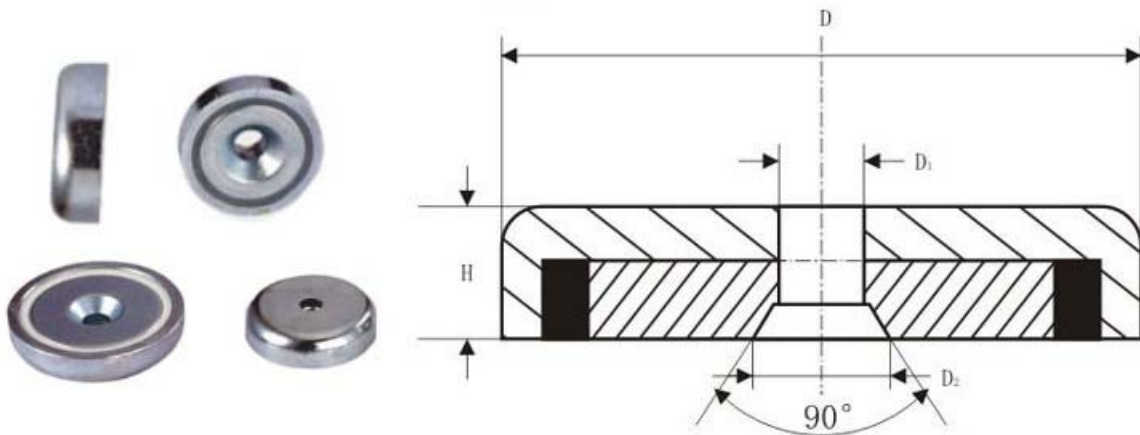




Magnetic Assemblies

CY-NA Series, NdFeB, Plastics Injected, Zinc or Nickel Plated



Type	Dimensions (mm)				Weight (g)	Adhesive Force (kg)
	ØD	Ød1	Ød2	H		
CY-NA16	16	3.5	6.5	5	7	4.5
CY-NA20	20	4.5	8.6	7	13	6
CY-NA25	25	5.5	10.4	8	23	14
CY-NA32	32	5.5	10.4	8	39	25
CY-NA36	36	6.5	12	9	52	29
CY-NA42	42	6.5	12	9	76	37
CY-NA48	48	8.5	16	11.5	120	68
CY-NA60	60	8.5	16	15	252	112
CY-NA75	75	10.5	19	18	488	162

Price List for Zinc Plated (5% more expensive for Nickel Plated)

Type	Unit price (FOB Munich, EUR/pc)				
	5~49pcs	50~199pcs	200~999pcs	1000pcs	5000pcs
CY-NA16	1.02	0.82	0.64	0.51	0.46
CY-NA20	1.71	1.37	1.07	0.86	0.77
CY-NA25	2.66	2.13	1.66	1.33	1.20
CY-NA32	3.74	2.99	2.33	1.87	1.68
CY-NA36	4.28	3.43	2.68	2.14	1.93
CY-NA42	6.92	5.54	4.33	3.46	3.12
CY-NA48	10.95	8.76	6.84	5.47	4.93
CY-NA60	23.75	19.00	14.84	11.87	10.69
CY-NA75	50.39	40.31	31.50	25.20	22.68