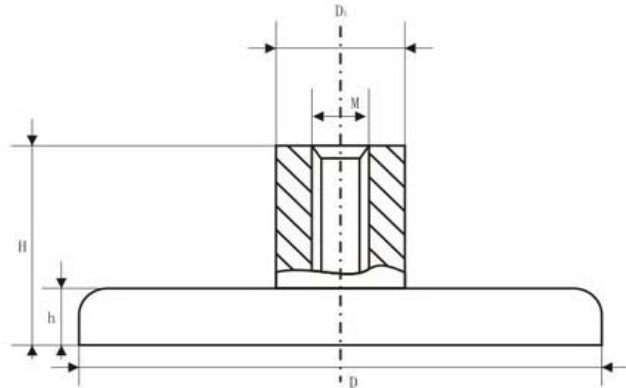


Magnetic Assemblies

CY-ND Series, NdFeB, Plastics Injected, Zinc or Nickel Plated



Type	Dimensions (mm)					Weight (g)	Adhesive Force (kg)
	$\varnothing D$	$\varnothing D_1$	M	H	h		
CY-ND16	16	6	4	13	5	8	5.5
CY-ND20	20	8	4	15	7	17	9
CY-ND25	25	10	5	17	8	32	22
CY-ND32	32	10	6	18	8	47	34
CY-ND36	36	10	6	18	8	59	41
CY-ND42	42	12	6	20	9	87	68
CY-ND48	48	12	8	24	11.5	132	81
CY-ND60	60	14	8	30	15	270	113
CY-ND75	75	16	10	34	18	552	164

Price List for Zinc Plated (5% more expensive for Nickel Plated)

Type	Unit price (FOB Munich, EUR/pc)				
	5~49pcs	50~199pcs	200~999pcs	1000pcs	5000pcs
CY-ND16	1.45	1.16	0.91	0.72	0.65
CY-ND20	2.17	1.74	1.36	1.09	0.98
CY-ND25	3.22	2.58	2.01	1.61	1.45
CY-ND32	4.35	3.48	2.72	2.17	1.96
CY-ND36	4.83	3.86	3.02	2.42	2.17
CY-ND42	7.41	5.92	4.63	3.70	3.33
CY-ND48	11.51	9.21	7.19	5.76	5.18
CY-ND60	23.91	19.13	14.94	11.95	10.76
CY-ND75	50.72	40.57	31.70	25.36	22.82