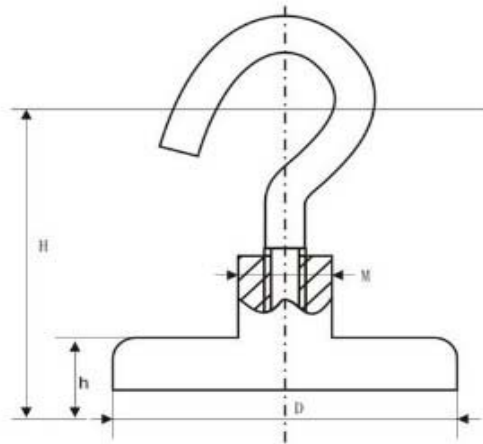


Magnetic Assemblies

CY-NE Series, NdFeB, Plastics Injected, Zinc or Nickel Plated



Type	Dimensions (mm)				Weight (g)	Adhesive Force (kg)
	ØD	M	H	h		
CY-NE16	16	4	14	5	11	5.5
CY-NE20	20	4	14	7	21	9
CY-NE25	25	5	15	8	37	22
CY-NE32	32	6	16	8	56	34
CY-NE36	36	6	16	8	68	41
CY-NE42	42	6	16	9	97	68
CY-NE48	48	8	23	11.5	154	81
CY-NE60	60	8	23	15	282	113
CY-NE75	75	10	25	18	560	164

Price List for Zinc Plated (5% more expensive for Nickel Plated)

Type	Unit price (FOB Munich, EUR/pc)				
	5~49pcs	50~199pcs	200~999pcs	1000pcs	5000pcs
CY-NE16	1.69	1.35	1.06	0.85	0.76
CY-NE20	2.33	1.87	1.46	1.17	1.05
CY-NE25	3.46	2.77	2.16	1.73	1.56
CY-NE32	4.51	3.61	2.82	2.25	2.03
CY-NE36	5.07	4.06	3.17	2.54	2.28
CY-NE42	7.65	6.12	4.78	3.82	3.44
CY-NE48	11.91	9.53	7.45	5.96	5.36
CY-NE60	24.15	19.32	15.09	12.08	10.87
CY-NE75	51.28	41.02	32.05	25.64	23.08